

Features

Infrared remote controller, to control or panels. There are 2 kinds of control modes: default control mode and page control mode.

default control mode (with compatible function) : to control the current page of the panel and also can be page down and up.

Page control mode : to control the selected page only. Max can set 15 pages, can set hide the page or unhide the page. Only the unhide pages can be controllable, the hidid pages can not be controllable.

mode select

Long press the PgUp for about 2S , the light on to be in the setup status. In this status and press 1, 3, 5 or 7(any one) to select the default control mode. To press 2, 4, 6 or 8(any one) to select page control mode.

- ┐ Page control mode
- ┐┐ Default control mode

After setup, long press the PgUp or Pg Dn for 2s to exit and save. No operation for 10S to be in saving mode, and then save.

Product Specifications

- Power: Battery 3V(AAA*2)
- Sending Distance: 5m
- Dimension of remote controller : 48mm×88mm×14.5mm
- Certificate: CE
- Working Temperature: 0°C ~ +45°C
- Working Relative Humidity: 20% - 90%
- Storage Temperature: -40°C- +55°C
- Storage Relative Humidity: 10% - 93%
- IP Protection : IP20

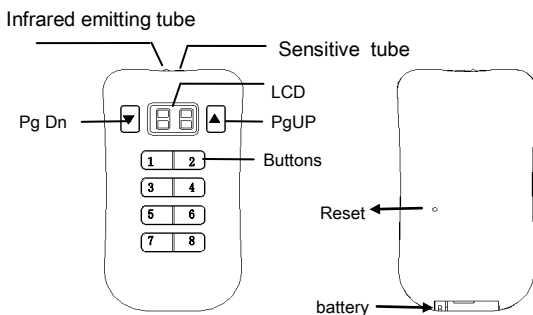


Safety Attention

- Unused for long time ,please remove the battery.
- Make sure the correct type of battery when replace

Types

SB-HHR-D



Sensitive tube : the LCD background light is on when there is no enough light.

LCD: To unhide the page, no operation in 5S , there will be no unhide to save power

Default control mode (compatible mode)

In Default mode: is ┐┐ shown in the LCD.

8 buttons control the current page of the panel. Using Page Dn and Page Up to find the UP and Down Page.

Page control mode

In page control mode: page is shown on in the LCD.

Page Dn and Page Up : to select the page, only show the unhide pages.

Button 1—8: to control the page1—8 of the panel separately.

The page and button of the remote controller is corresponding to the page and button of the panel.

To setup hide/unhide page

long press the PgUp for 2s, the light is flickering, to be in the setup status.

After flickering, to press the PgDn or PgUp to select the page needed to be setup.

Press any button of 1, 3, 5, 7, the page is setup to unhide.

Press any button of 2, 4, 6, 8 , the page is setup to be hide, and there is a"—"in front of the hidid page.

For example, if set the page 15 to be the hidid page, then it display like"—15".

After the page hidid, there is no display in the control status, and cannot control.

After setup, Press the page Dn and Up button for 2s to exit.

Default page setup

In the page control mode, there is no operation for the remote controller, and operating the button 1 to 8, and the default page is to be displayed.

long press the Pg Dn for 2s, the light is flickering, to be in setup default page status.

After flickering, to press the PgDn or PgUp to select the page needed to be setup as default.

Press any button of 1, 3, 5, 7 , the page is setup to the default page.

There is a "—"in front of the default page, for example, if set up the page 4 to be the default page, then it shows as"—4".

Press any button of 2, 4, 6, 8, to control the default page.

After setup, Press the page Dn and Up button for 2s to exit and save.

Remote controller recognize code modify

Recognize code, it distinguishes from the other remote controllers. Each remote controller has one more recognize code expect the default one, total 8 codes. Sometimes there would happens that the codes of this remote controller is same as that of the others. Meaning that the remote controller is controlling the other device that no need to be controlled. Such as when control the panel it also control the AC, meaning the code to control the AC is same as the panel, in this status, changing the remote button command is ok.

Steps to modify:

Long press any one of the button1-8 in any mode for 20s, (each button has one code), till flickering , after there is no flickering then the modification done.

After the modification done, need to change the remote controlling code of the related panel. Details please see the manual of the panel.

Button 1 code is for all HDL panel.

Dimming

In the page control mode, the buttons to be setup as single on or single on/off mode, the object is scene and single channel, long press the button can dim.

To change the light value of the controlled objects , meanwhile there is the corresponding changed output in the site.