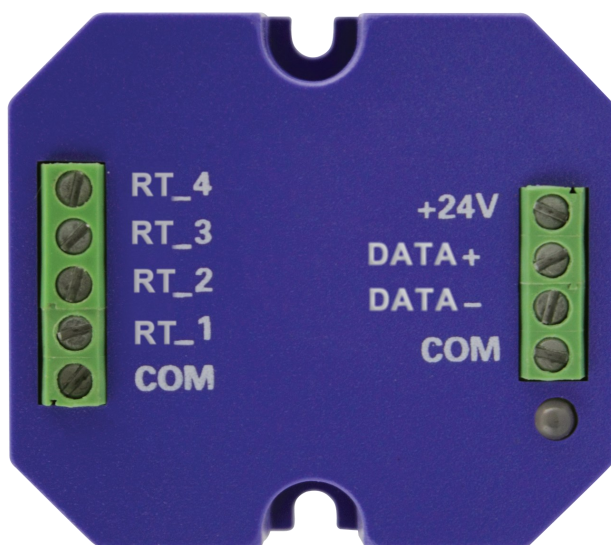


# HDL®

Height · Dedicated · Leading  
高度 · 专注 · 引领

## Datasheet of HDL-MTS04.20



## Description

---

HDL-MTS04.20 is to be used for Temperature detecting and 4 temperature sensors which allocated in different position can be connected to this module.

## Features

---

- 4 channel for temperature detecting
- 3 settings for each channel's resistance: Default value, Predetermined Resistance value, Customize indexing Table value
- 70°C will be displayed if the real detecting temperature is higher than 70°C
- -20°C will be displayed if the real detecting temperature is lower than -20°C

Note: Predetermined Resistance value, means that customer can choose other thermistor accordingly, but need to inform HDL before he uses it.

## Environmental Condition

---

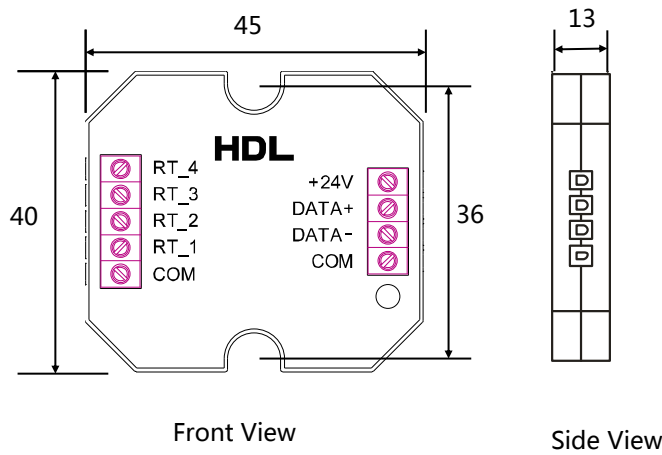
- Working Temperature: 0 ~ 45 °C
- Working Relative Temperature: 20 % ~ 90 %
- Storage Temperature:

## Performance Parameters

---

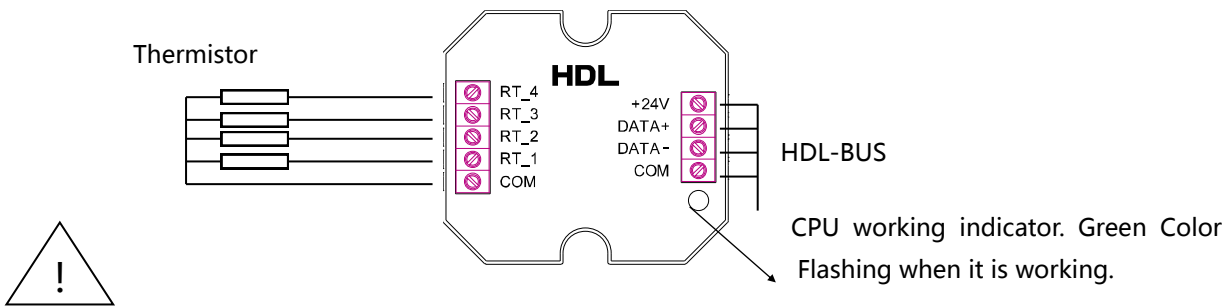
- Input Voltage: DC 12-30 V
- Input Current: 9mA/DC 24V
- Temperature Detecting Range: -20°C~70°C
- Temperature Detecting Range of the thermistor: -30°C~100°C
- Sizes: 44mm×39 mm×12mm

# Installation Dimension Requirements



- HDL-MTS04.20 is to be installed into the place where is convenient .
- 485 BUS Type : Cat5e or HDL Cable

## Wiring for installation



### HDL - BUS Connection :

Please make sure the connection is correct and do not make mistake on wiring for +24v and COM

### Selection of Thermistor :

NTC type thermistor ; The resistance of the thermistor must between 2K and 40k, this is the suggested parameter.

## HDL-BUS Definition

### HDL-BUS Definition-Cat5e

Brown White/Orange White color	COM
Blue White /Green White Color	DATA-
Blue Color/Green Color	DATA+
Brown Color/ Orange Color	DC24V

### HDL-BUS Definition-HDL Cable

Red	DC24V
Black	COM
White	DATA-
Yellow	DATA+

Note : HDL-BUS Wire Options: Cat5e or HDL Cable

## Pack List

---

HDL-MTS04.20	1 piece
Installation Manual	1 piece

## Safety and Maintenance

---

Read All Instructions in detail before use  
Make sure good Ventilation Environment  
Pay Attention to Water-proof, shake-proof and dust-proof when using  
Non-Rain, Non-Contact with other liquids or corrosive gases  
Should be dried in time if invaded by water or liquid  
Contact Professional maintenance staff or HDL company when Product has problem

## 联系方式

---

### 河東企業 HDL®

**制造商：广州市河东电子有限公司**

地址：广州市天河高新技术产业开发区建中路24号

邮政编码：510665

电话：(020) 85536533 (销售、服务热线)，85521566 (总机)

传真：(020) 85520532

Http://www.hdlchina.com.cn

E-mail：hdlmarket@hdlchina.com.cn

**生产商：广州市丽创电子有限公司**

地址：广州市番禺区石楼镇利丰大道莲花西路86号

邮政编码：511447

电话：(020) 84651666 (总机)

本公司保留产品规格修改权利



RoHS