

HDL

Party Mode of Z-Audio

SB-Z-AUDIO

Version1.1

Table of content

WHAT IS PARTY MODE	3
HOW PARTY MODE WORKS.....	3
HOW TO CONFIGURATE PARTY MODE.....	4

Revision Note:

Version 1.1: change the naming format of Party Mode from "PA_" to "PA_**" ("**" is one or more characters.)

1. what is Party Mode: what Party Mode can do

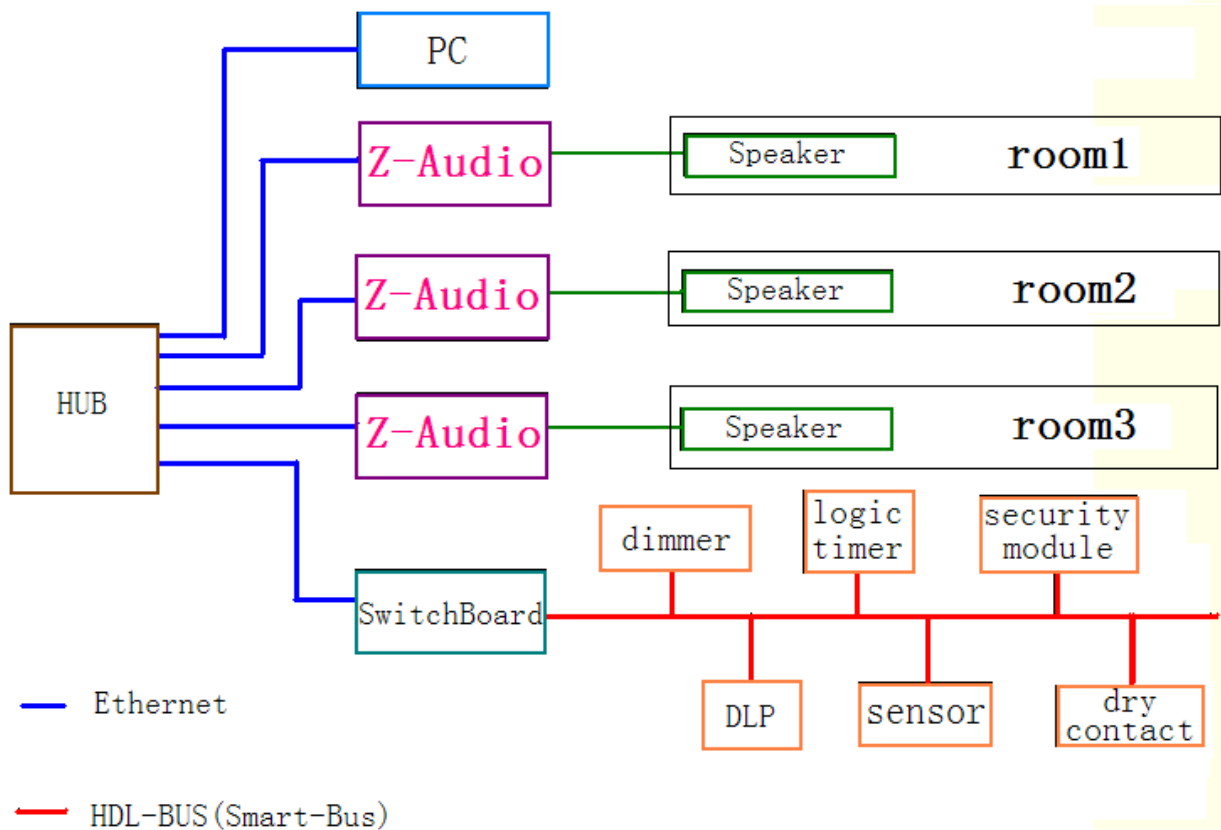
Using Party Mode, we can achieve the functionality that multiple Z-Audios play the same song synchronously.

2. How Party Mode works: the principle of Party Mode

With the help of programming software HDL-BUS, we can pick and set one Z-Audio as Host Z-Audio and the rest Slave Z-Audios. Thus, when using the DLP to open Party Mode, the Host Z-Audio would synchronously and automatically broadcast its audio stream via Ethernet, the Slave Z-Audio can get the real-time audio stream from Ethernet and play it. This is how we achieve multiple Z-Audios playing the same song synchronously.

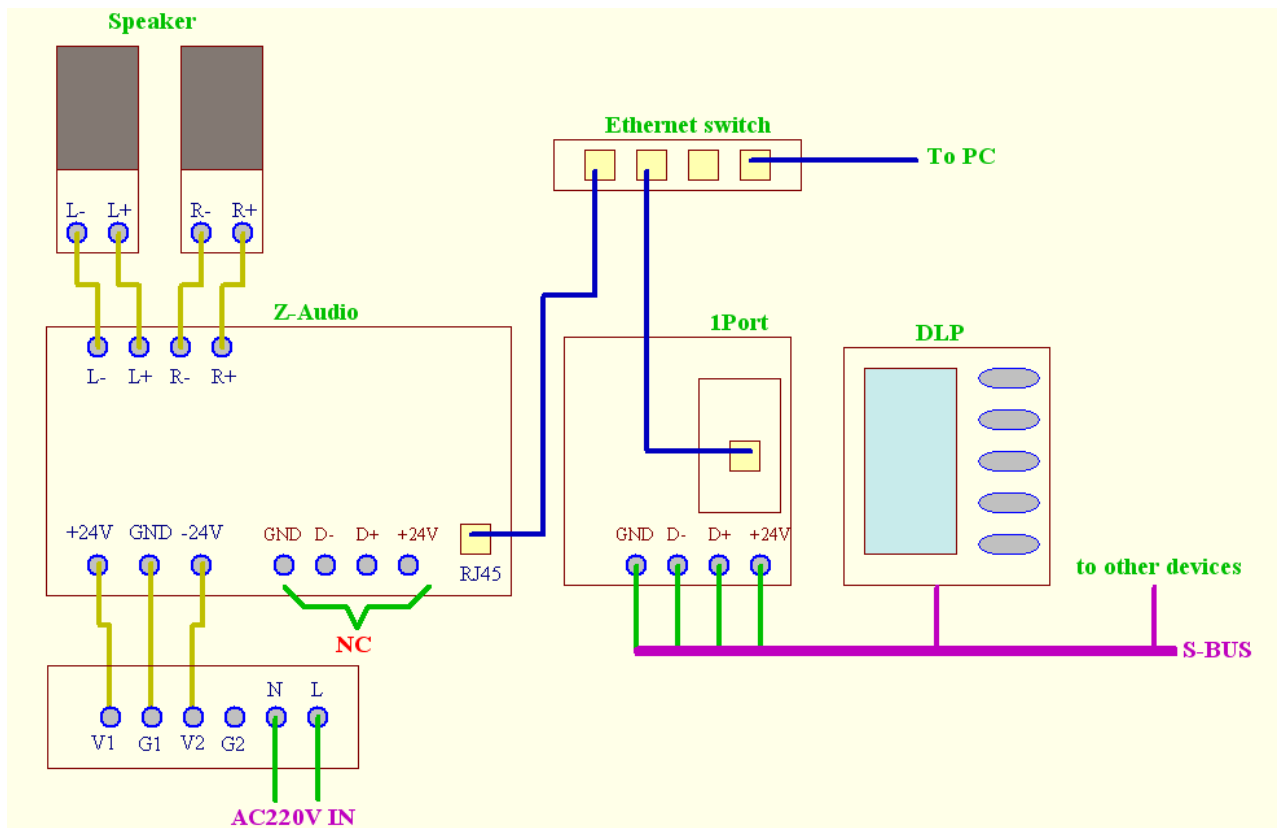
Figure 1. framework of Party Mode

Figure 2. wiring of single Z-Audio



Framework of Party Mode

Figure 1



wiring of single Z-Audio

Figure 2

3. How to configure Party Mode

Main steps: 1. pick one Z-Audio and configure it as a Host;

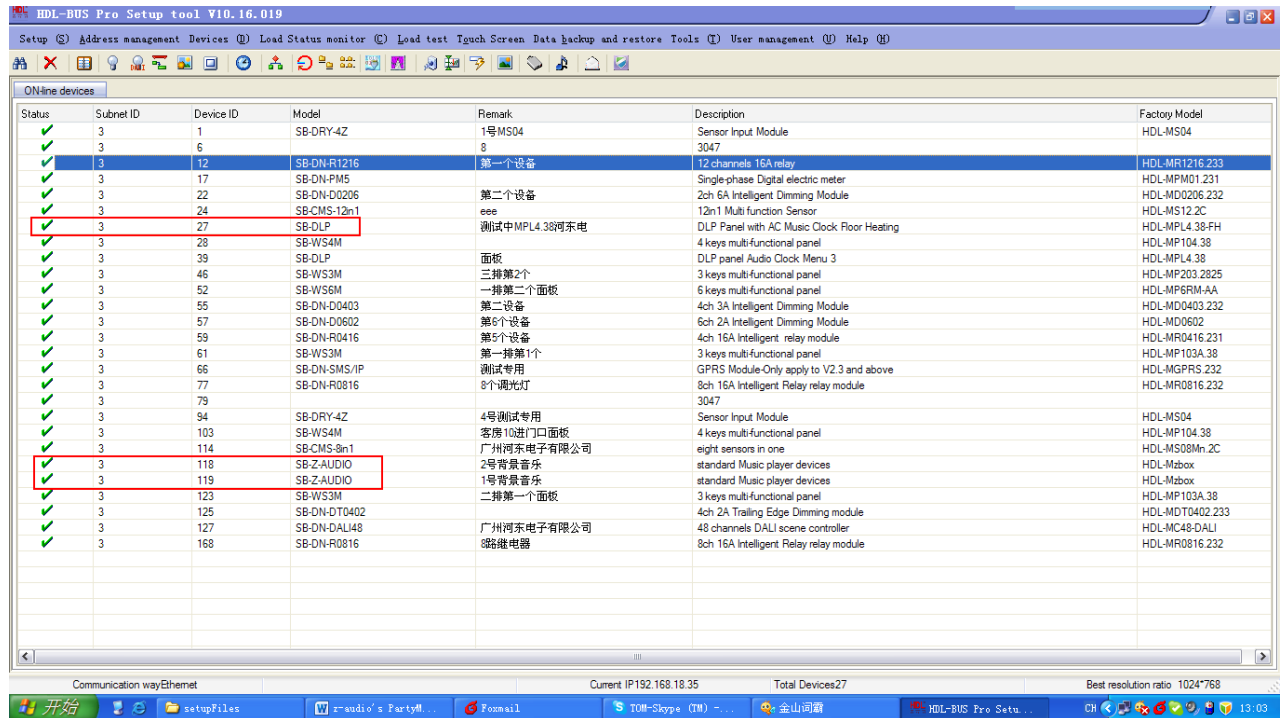
2. configure the rest Z-Audios as Slaves

3. configure the DLP and let the Host Z-Audio be DLP's music control target.

Detailed illustrations:

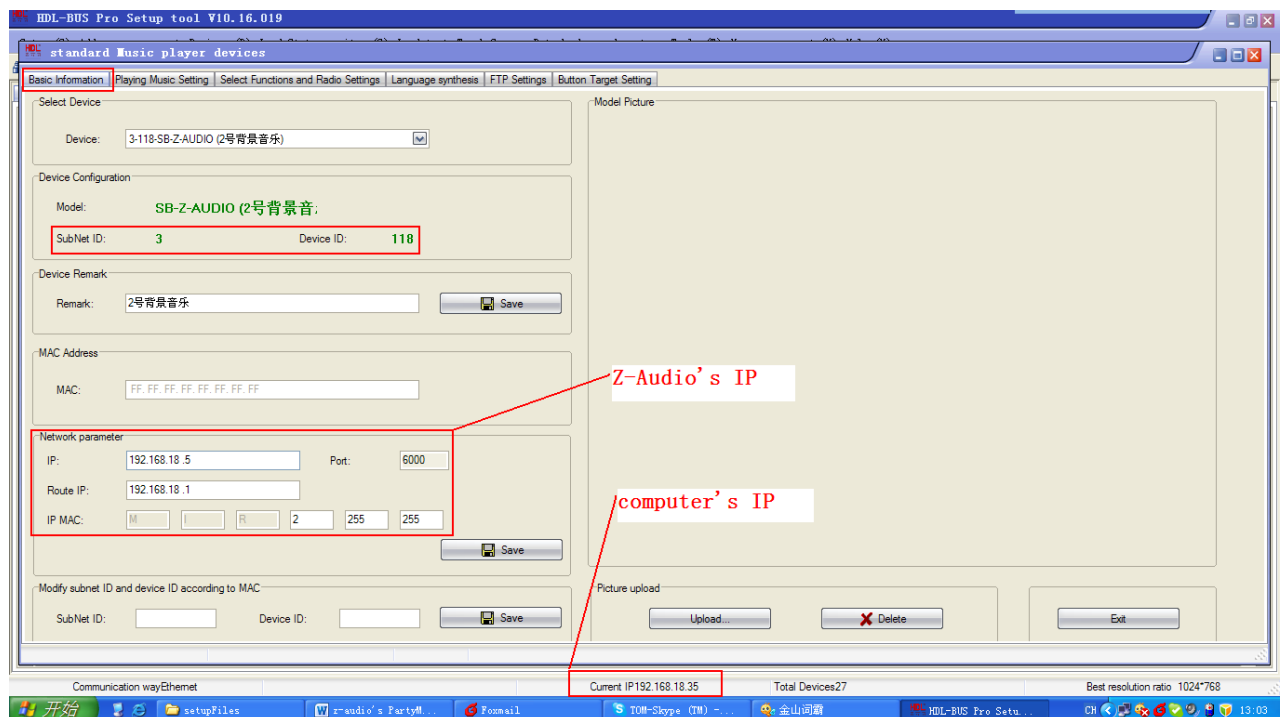
(1)

After the wiring is done, power on the system (check the wiring carefully, wrong wiring could easily burn down the Z-Audio), run the programming software HDL-BUS and search for online devices. The three devices below are relative with this Party Mode configuration.

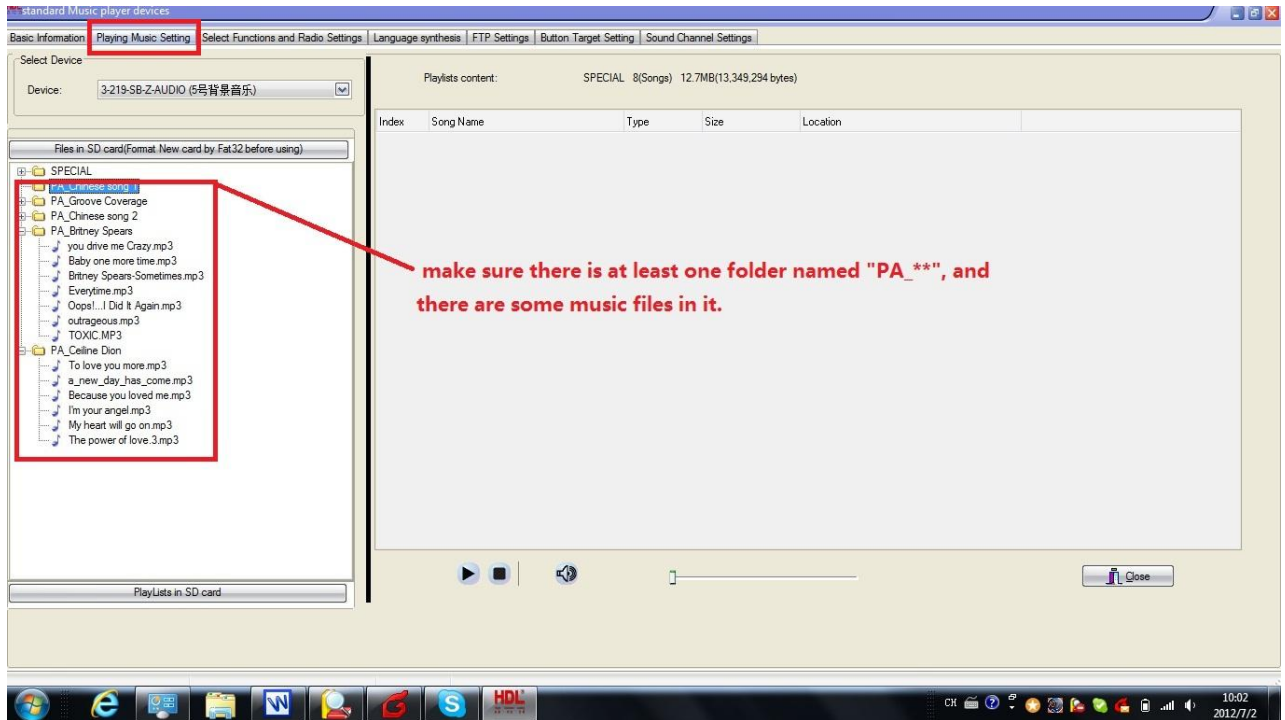


Configuration of the Host Z-Audio

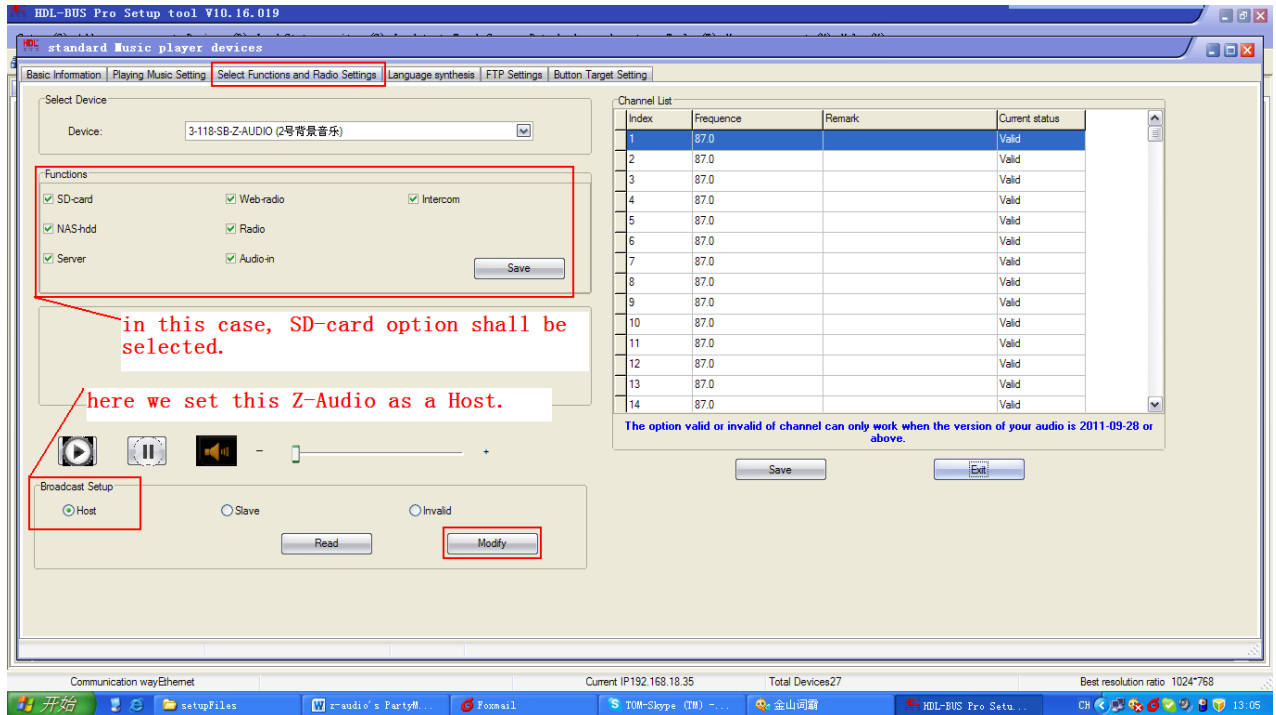
(2) take one Z-Audio as a Host, here we take the one 192.168.18.5 as a Host.



(3) Check if there is a folder named "PA_***" ("***" is one or more characters.) under the root directory of SD card and make sure there is some music files in the folder (If there is no such folder, create it and put some music files in it)

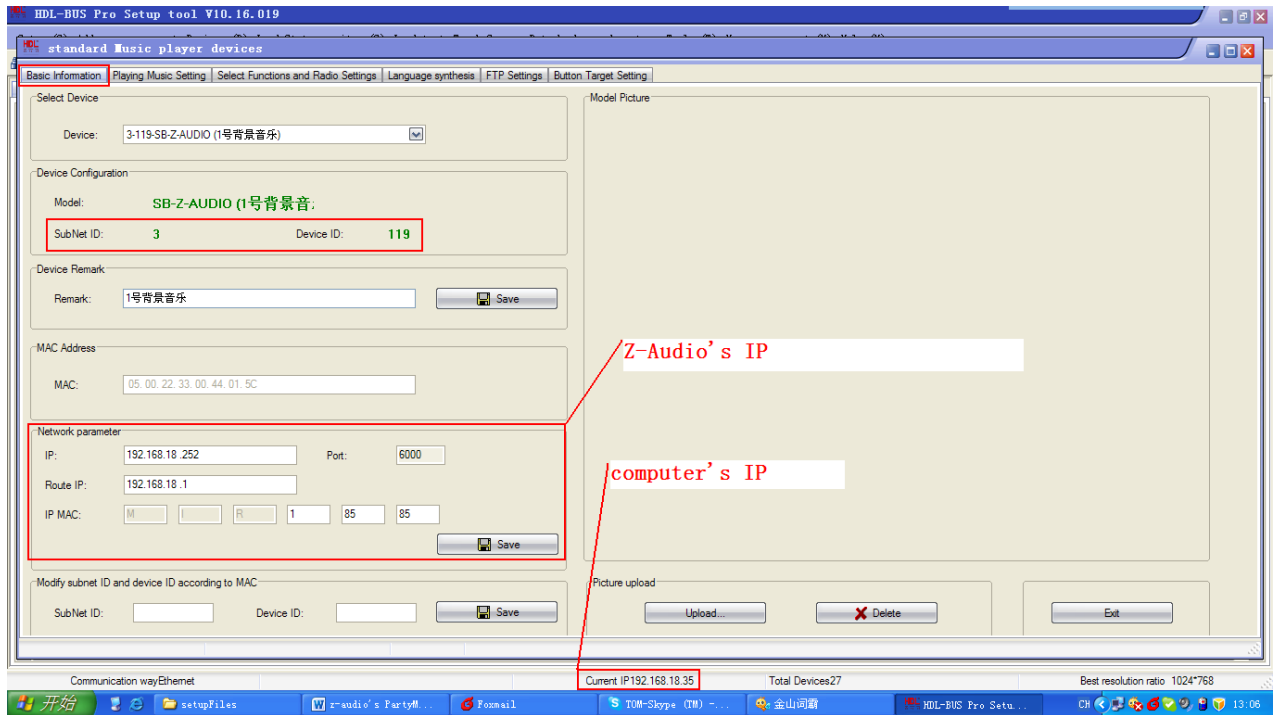


(4) select all functions is recommended.

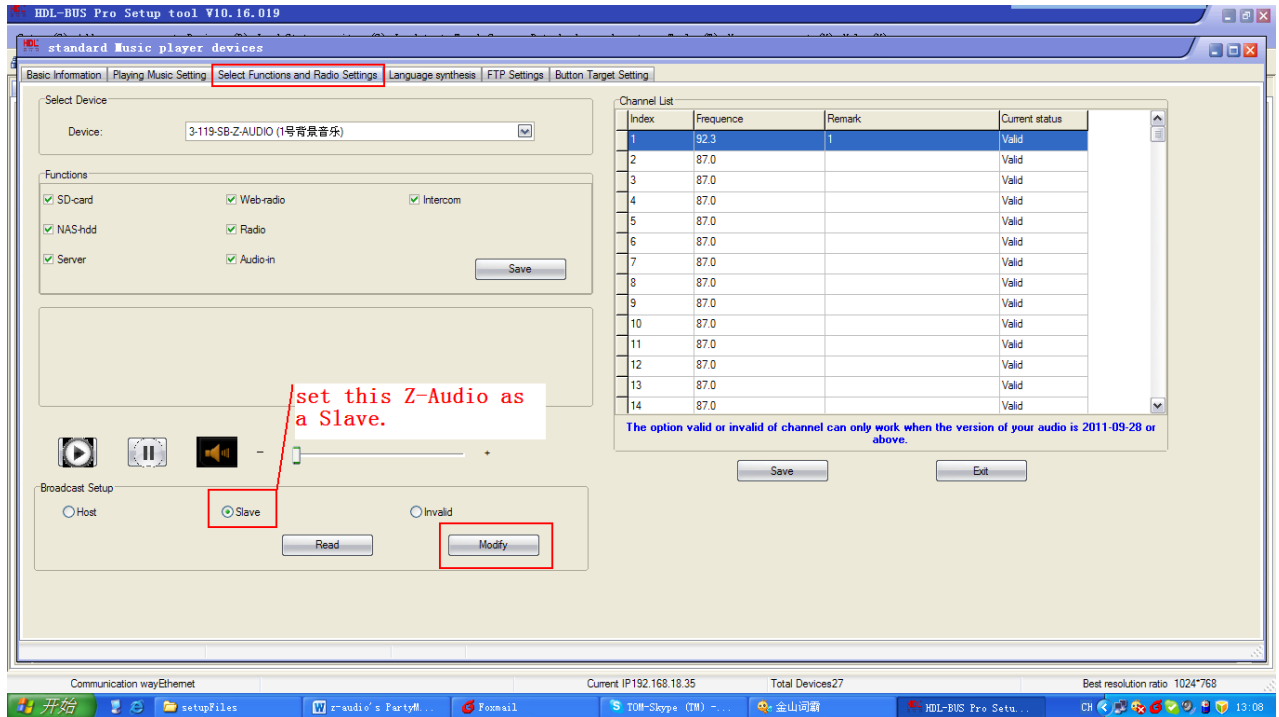


Configuration of Slave Z-Audio

(5) take the rest Z-Audio as Slaves, here we have only one slave.

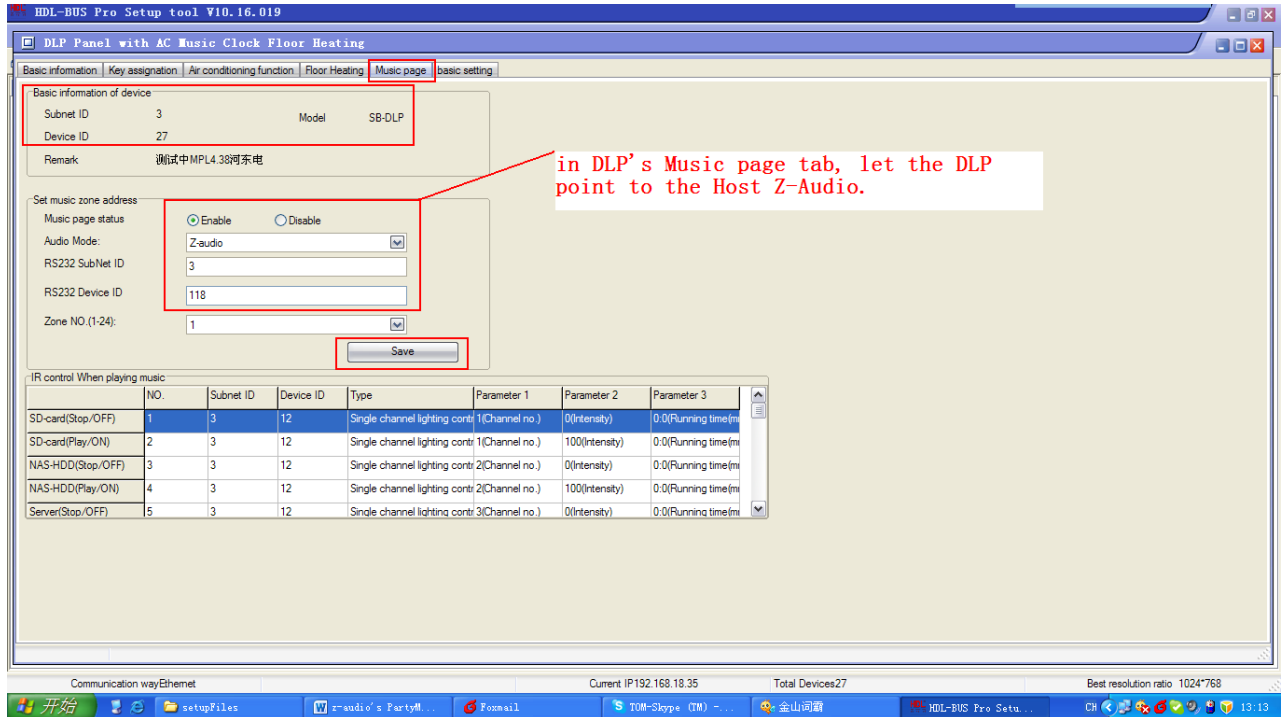


(6) set the rest Z-Audios as Slaves.



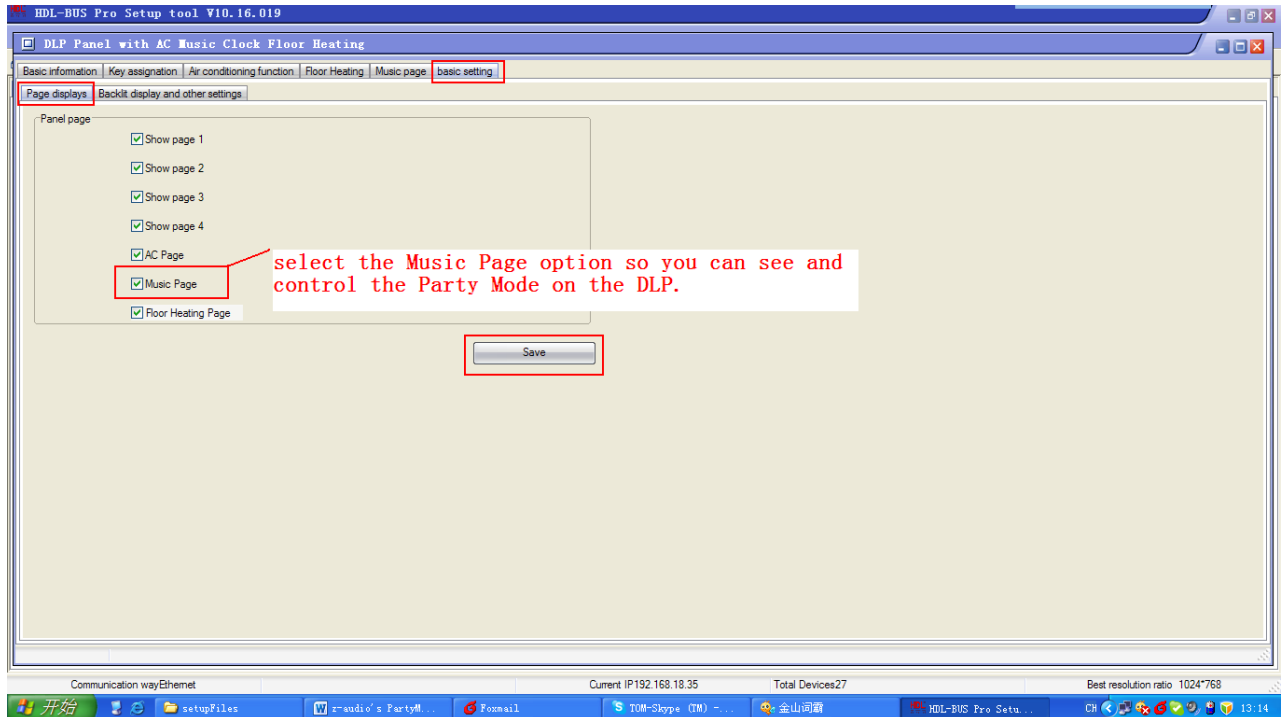
Configuration of music function of DLP

(7) set the Host Z-Audio as the music control target of DLP.



in DLP's Music page tab, let the DLP point to the Host Z-Audio.

(8) enable the display of music page of DLP



Done!

Now you can use DLP to control the Host Z-Audio and let Host Z-Audio play the music in 'PA_' folder, the Host Z-Audio would synchronously and automatically broadcast its audio stream via Ethernet, the Slave Z-Audio can get the real-time audio stream from Ethernet and play it, this is Party Mode!

PS: you can enable or disable the slave property of slave Z-Audios one by one by double pressing the top right button of DLP.